

CF200 CANNING FITTING FOR THE HITEMP140 DATA LOGGER SERIES



Features

- Compatible Data Loggers:
 - » HiTemp140-FP
 - » HiTemp140-PT-5
 - » HiTemp140-2-TD
 - » HiTemp140-5.25-TD
- Durable Stainless Steel & Silicone Components

Benefits

- Compact
- Secure Water Tight Seal
- Easily Adjustable
- Suitable for a wide variety of packaging types

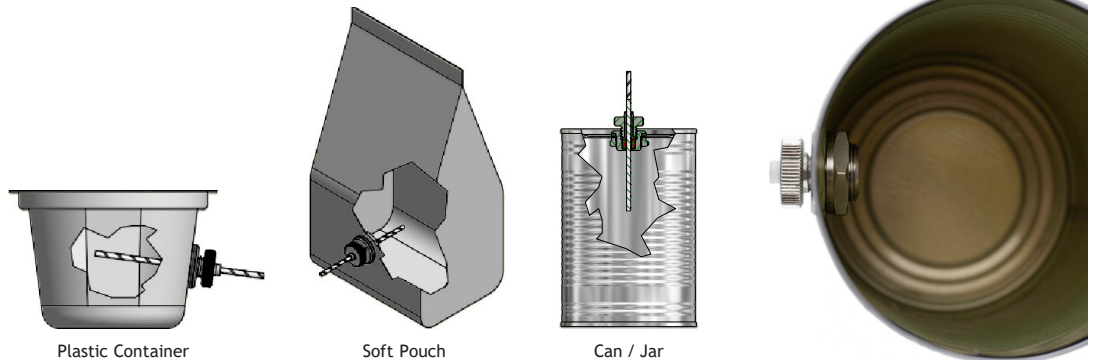
Applications

- Monitoring internal temperatures of food processing and packaging:
 - » Cans
 - » Jars
 - » Soft Pouches
 - » Rigid Plastic Containers
 - » Retort Packages

The CF200 Canning Fitting securely attaches MadgeTech HiTemp140 data loggers to jar lids, cans or other containers, with the data logger probe inserted into the container to monitor internal temperatures.

The CF200 can withstand temperatures up to 140 °C (284 °F), making it ideal for use in a variety of canning applications, in a wide range of industries and environments.

Data logger and hole punch tool sold separately.



SPECIFICATIONS*

MadgeTech Data Logger Compatibility:	HiTemp140-FP HiTemp140-PT-5 HiTemp140-2-TD HiTemp140-5.25-TD
Operating Environment:	-40 °C to +140 °C (-40 °F to +284 °F) 0 %RH to 100 %RH, 0.002 PSIA to 100 PSIA

Dimensions:	0.87 in x 0.87 in x 0.85 in (22.1 mm x 22.1 mm x 21.6 mm)
Required Container Hole Size	9/16 in dia.
Weight:	28 g (0.99 oz)
Materials:	Food Grade 316 Stainless Steel, Silicone Rubber

*Specifications are subject to change without notice. Specific warranty remedy limitations apply. Call 1300 662 720 for details.

ORDERING INFORMATION

MODEL	DESCRIPTION
CF200	Canning Fitting for the HiTemp140 Data Logger Series

ASK ABOUT OUR OTHER DATA LOGGERS

- Temperature
- Humidity
- Pressure
- pH
- Level
- Shock
- LCD Display
- Pulse/Event/State
- Current
- Voltage
- Wireless
- Intrinsically Safe
- Spectral Vibration
- Motion

Authorized Distributor in Australia
Pacific Sensor Technologies Pty Ltd
Unit 4, 3 Neutron Place, VIC3178 Australia
1300 662 720 | sales@pacificsensortech.com.au
pacificsensortech.com.au

